

NO. 6-133

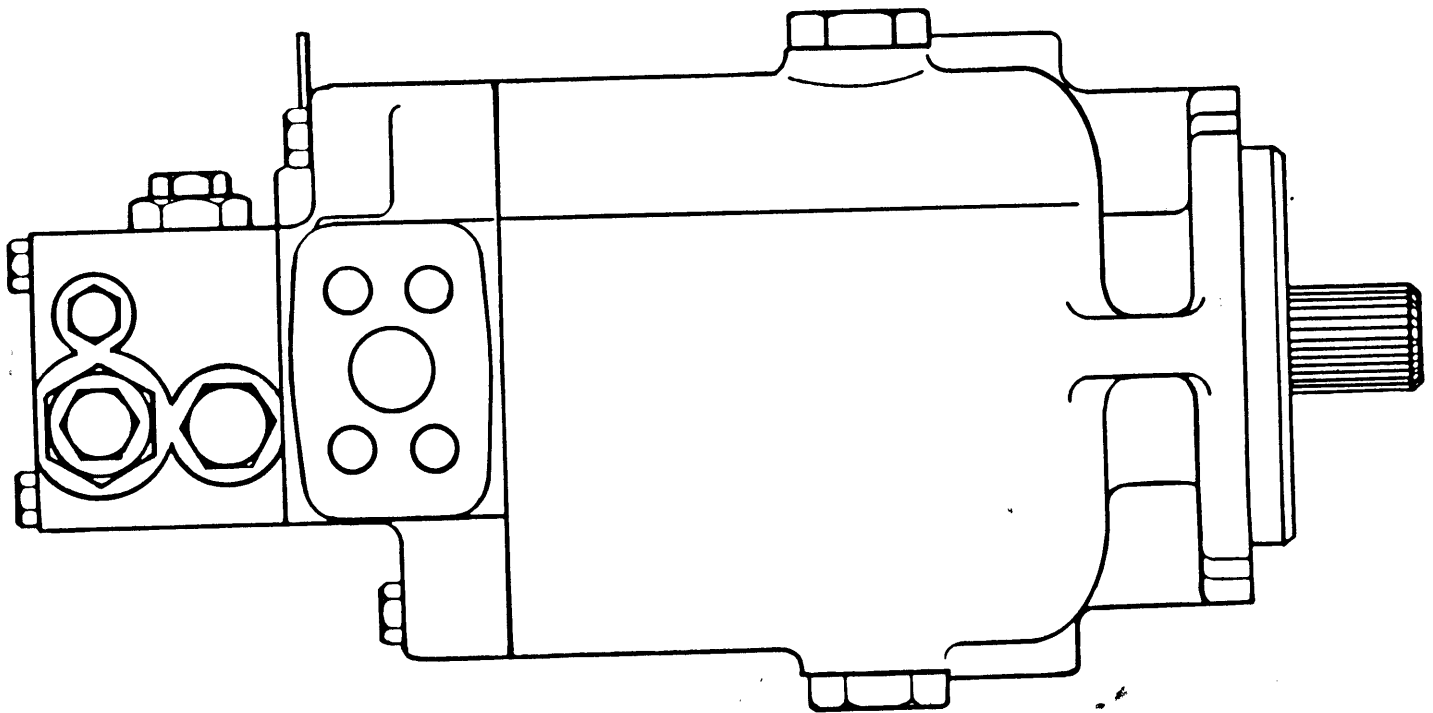
**Eaton  
Hydraulics  
Division**

# Parts Information

---

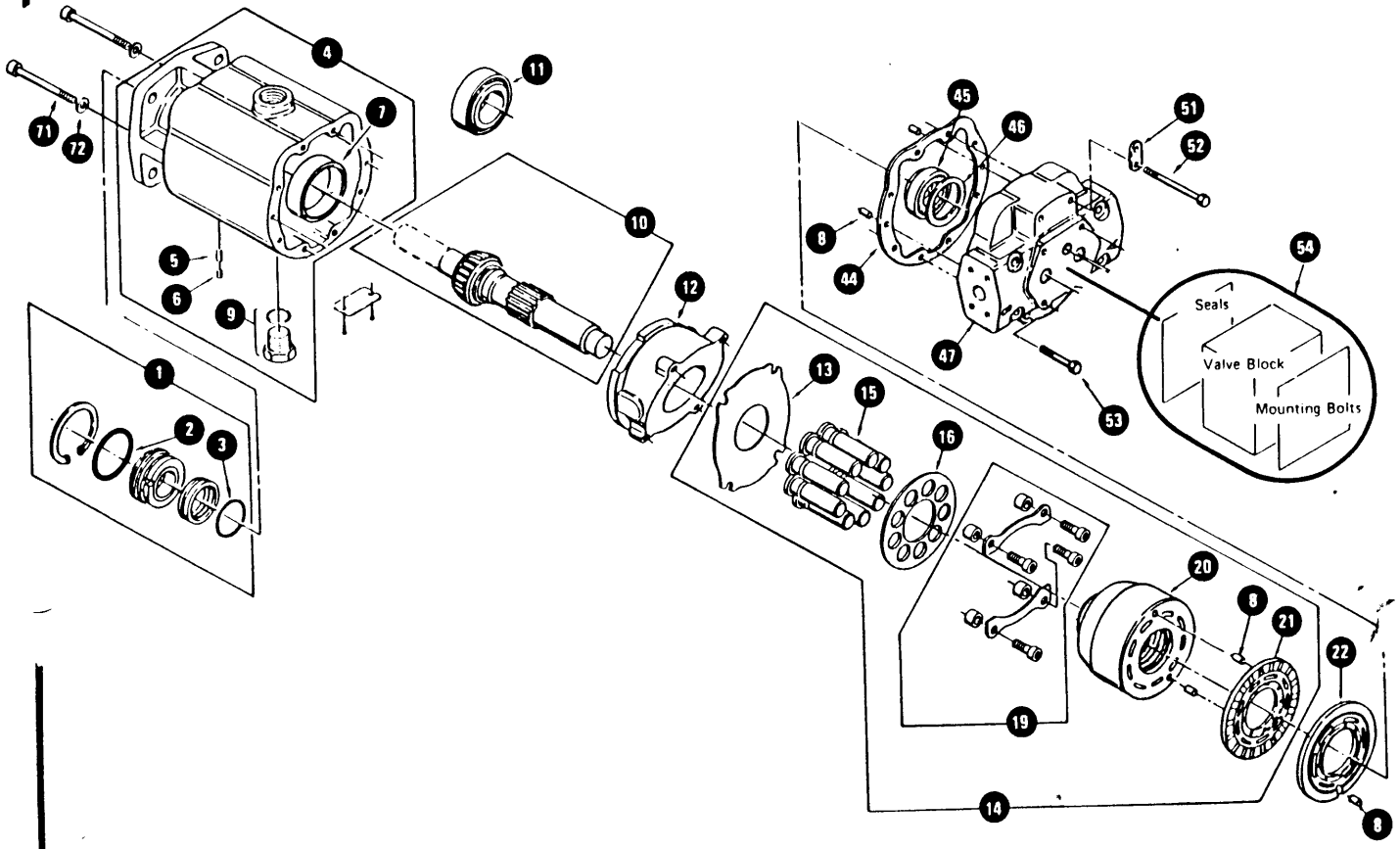
**Hydrostatic Fixed Motors · Series 1, Models 33 - 64**

---



**EAT•N**

PARTS DRAWING



End Cover Matrix Ref. No. 47

Description	Model 33	Model 39	Model 46	Model 54	Model 64
Main Ports					
1 inch Code 61	103225	103225	103267	105092	105087
1 inch Code 61 w/Speed Pick-up	105354	105354			
1 inch Code 61 wo/Mach. Face	104975	104975	105370	105378	
1 inch Code 62	104583	104583	104578	105093	105088
1 inch Code 62 w/Speed Pick-up					105268
1 inch O-ring	104264	104264		105094	

Code 61 - SAE Code 61, Split Flange, 3000 PSI, Drilled and Tapped for 3/8-16 UNC 2B Thread Bolt

Code 62 - SAE Code 61, Split flange, 6000 PSI, Drilled and Tapped for 7/16-14 UNC 2B Thread Bolt

PARTS LIST

No. Ref.	Description	Qty	Model 33	Model 39	Model 46	Model 54	Model 64
1	Kit, Shaft Seal	1	990231-000	990231-000	990231-000	990231-000	990231-000
2	O-ring	1	8761-145	8761-145	8761-145	8761-145	8761-145
3	O-ring	2	104166-131	104166-131	104166-131	104166-131	104166-131
4	S/A, Housing	1	104202	104202	104202	103868	103868
5	Dowel	1	95904-100	95904-100	95904-100	95904-100	95904-100
6	Plug, Socket Pipe	1	95653-012	95653-012	95653-012	95653-012	95653-012
7	Cup, Bearing	1	103232	103232	103232	103807	103807
8	Dowel	3	98202	98202	98202	98202	98202
9	S/A, O-ring Plug	1	25090-012	25090-012	25090-012	25090-012	25090-012
10	S/A, Drive Shaft	1	*	*	*	*	*
11	Bearing Kit, Mtg. Flange	1	990389	990389	990389	990387	990387
12	S/A, Swashplate	1	103248	103238	103238	103872	103872
13	Plate, Thrust	1	103236	103236	103236	103809	103809
14	Kit, Rotating Group	1	990425	990425	990427	990429	990431
15	S/A, Piston Slipper	9	101073	101073	104199	101077	103818
16	Plate, Slipper Retaining	1	103244	103244	104211	103853	103817
19	Kit, Series I Hold Down	1	990416	990416	990416	990417	990417
20	Kit, Cylinder Barrel	1	990412	990412	990413	990414	990415
21	Plate, Bearing	1	103241	103241	104198	103852	103814
22	Plate, Valve	1	103230	103230	104189	105104	105099
44	Gasket, End Cover	1	103224	103224	103224	103877	103877
45	Kit, End Cover Bearing	1	990014	990014	990014	990016	990016
46	Shim Kit, End Cover	1	990017	990017	990017	990019	990019
47	End Cover	1	*	*	*	*	*
51	Strap, Shipping	2	96558	96558	96558	96559	96559
52	Bolt, End Cover	6	103090-275	103090-275	103090-275	103091-300	103091-300
53	Bolt, End Cover	2	103090-150	103090-150	103090-150	103091-200	103091-200
54	Option, Valve Block	1	**	**	**	**	**
71	Screw, Cap	2	95912-300	95912-300	95912-300	95912-300	95912-300
72	Washer, Sealing	2	103223	103223	103223	103223	103223

\* See charts below and on opposite page for specific part numbers.  
 \*\* See separate parts list for specific part number.

Drive Shaft Matrix		Ref. No. 10			
Description	Model 33	Model 39	Model 46	Model 54	Model 64
14T-12/24P	104378	104378	104190	105056	105052
21T-16/32P	103226	103226	104640	105060	105062
23T-16/32P	N/A	N/A	103579	105070	105066
1-1/2 Str.Key	N/A	N/A	N/A	N/A	105356

101540 - 3/8 Square Key (for 1-1/2 Straight Keyed Shaft)

112467 14T motor Series 3  
 23T motor Series 3