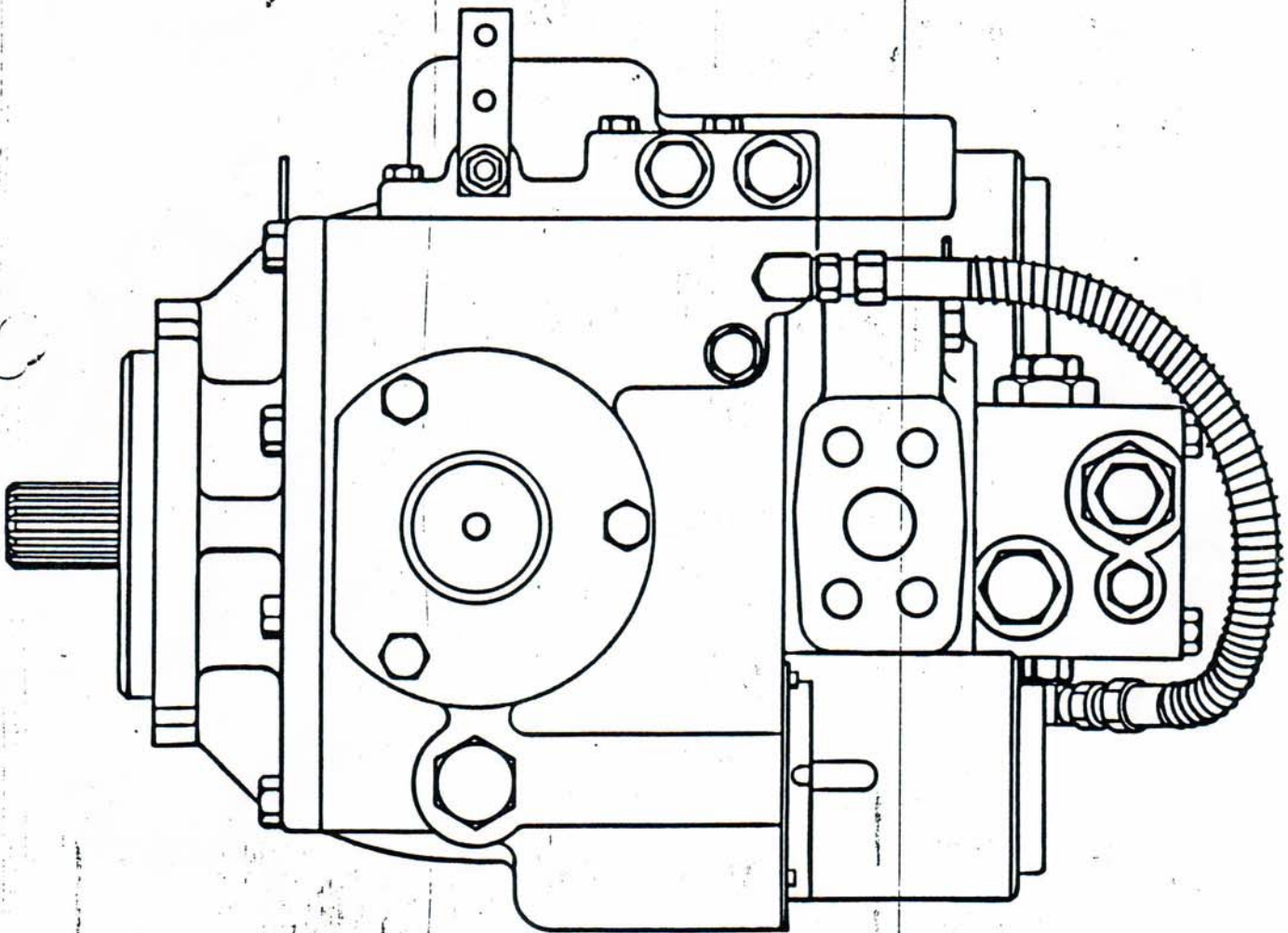


NO. 6-137

**Eaton
Hydraulics
Division**

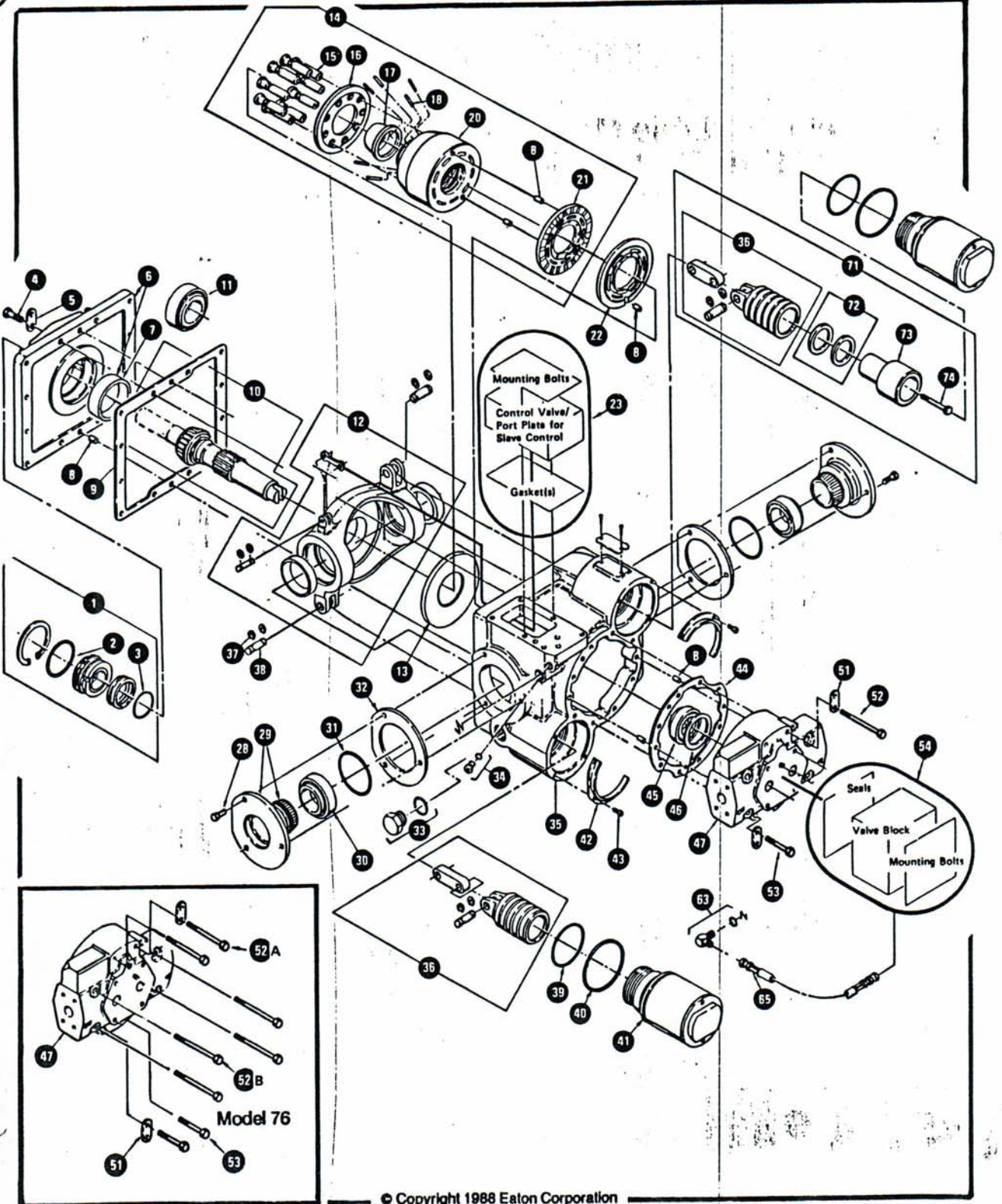
Parts Information

**Hydrostatic Variable Motors -
Models 33 thru 76 Ball Guide Units**



EAT•N

PARTS DRAWING



PARTS LIST

| Ref. No. | Description | Qty | Model 33 | Model 39 | Model 46 | Model 54 | Model 76 |
|----------|------------------------------|-----|-------------|-------------|-------------|------------|------------|
| 1 | Kit, Shaft Seal | 1 | 990231 | 990231 | 990231 | 990231-000 | 990195 |
| 2 | O-ring | 1 | 8761-145 | 8761-145 | 8761-145 | 8761-145 | 8761-239 |
| 3 | O-ring | 1 | 104166-131 | 104166-131 | 104166-131 | 104166-131 | 104166-138 |
| 4 | Bolt, Mounting Flange | 12 | 95863-100 | 95863-100 | 95864-125 | 95864-125 | 95863-125 |
| 5 | Strap, Shipping | 2 | 96558 | 96558 | 96558 | 96559 | 101822 |
| 6 | S/A, Mounting Flange | 1 | 25434 | 25434 | 25404 | 23862 | 101813 |
| 7 | Cup, Bearing | 1 | 96795 | 96795 | 96795 | 96795 | 95860 |
| 8 | Dowel | 7 | 98202 | 98202 | 98202 | 98202 | 98202 |
| 9 | Gasket, Mounting Flange | 1 | 8828 | 8828 | 8856 | 8826 | 101815 |
| 10 | S/A, Drive Shaft | 1 | * | * | * | * | * |
| 11 | Bearing Kit, Mounting Flange | 1 | 990020 | 990020 | 990020 | 990020 | 990056 |
| 12 | S/A, Swashplate | 1 | 102750 | 102751 | 102722 | 102891 | 104728 |
| 13 | Plate, Thrust | 1 | 102723-039 | 102723-039 | 102723-046 | 102723-054 | 102723-076 |
| 14 | Kit, Rotating Group | 1 | 101697 | 101697 | 101698 | 103046 | 101786 |
| 15 | S/A, Piston Slipper | 9 | 101073 | 101073 | 101075 | 101077 | 101788 |
| 16 | Plate, Slipper Retaining | 1 | 102678 | 102678 | 102679 | 102680 | 102681 |
| 17 | Guide, Slipper Retainer | 1 | 101096 | 101096 | 101092 | 101085 | 101787 |
| 18 | Dowel, Cylinder Barrel | 6 | 101082 | 101082 | 101083 | 101084 | 101798 |
| 20 | Kit, Cylinder Barrel | 1 | 990421 | 990421 | 990422 | 990423 | 990424 |
| 21 | Plate, Bearing | 1 | 101049 | 101049 | 101050 | 101051 | 101794 |
| 22 | Plate, Valve | 1 | 103230 | 102790 | 102625 | 102793 | 101823 |
| 23 | Option, Control | 1 | ** | ** | ** | ** | ** |
| 28 | Bolt, Trunnion | 6 | 95863-088 | 95863-088 | 95864-088 | 95864-088 | 95864-100 |
| 29 | S/A, Trunnion | 2 | 23470 | 23470 | 23591 | 23591 | 101820 |
| 30 | Kit, Trunnion Bearing | 2 | 990023 | 990023 | 990024 | 990024 | 990059 |
| 31 | O-ring | 2 | 8761-231 | 8761-231 | 8761-234 | 8761-234 | 8761-234 |
| 32 | Shim Pack, Trunnion | 2 | 990012 | 990012 | 990013 | 990013 | 990060 |
| 34 | S/A, O-ring Plug | 1 | 25083-004 | 25083-004 | 25083-004 | 25083-004 | 25083-004 |
| 35 | Housing | 1 | 101838 | 101838 | 101839 | 103805 | 101816 |
| 36 | Servo Piston, Bottom | 2 | 102331 | 102331 | 102331 | 25246 | 101835 |
| 37 | Retaining Ring, External | 4 | 95820-056 | 95820-056 | 95820-056 | 95820-056 | 95820-075 |
| 38 | Pin, Linkage | 2 | 95654 | 95654 | 95654 | 95654 | 101784 |
| 39 | O-ring | 2 | 8761-143 | 8761-143 | 8761-143 | 8761-234 | 8761-234 |
| 40 | O-ring | 2 | 8761-147 | 8761-147 | 8761-147 | 8761-237 | 8761-237 |
| 41 | Kit, Servo Sleeve | 2 | 990037 | 990037 | 990037 | 990038 | 990038 |
| 42 | Retainer, Servo | 2 | 95675 | 95675 | 95675 | 95844 | 95844 |
| 43 | Screw, Cap | 6 | 95890-038 | 95890-038 | 95890-038 | 95890-038 | 95890-038 |
| 44 | Gasket, End Cover | 1 | 8734 | 8734 | 8857 | 103042 | 101778 |
| 45 | Kit, End Cover Bearing | 1 | 990014 | 990014 | 990015 | 990016 | 990057 |
| 46 | Shim Pack, Shaft | 1 | 990017 | 990017 | 990018 | 990019 | 990058 |
| 47 | End Cover | 1 | * | * | * | * | * |
| 52 | Bolt, End Cover | 6 | 103090-275 | 103090-275 | 103090-275 | 103091-300 | — |
| 52 A | Bolt, End Cover | 2 | — | — | — | — | 103092-325 |
| 52 B | Bolt, End Cover | 4 | — | — | — | — | 103092-375 |
| 53 | Bolt, End Cover | 2 | 103090-150 | 103090-150 | 103090-150 | 103091-200 | 103092-200 |
| 54 | Option, Valve Block | 1 | * | * | * | * | * |
| 63 | S/A, O-ring Tube Fitting | 1 | 25095-004 | 25095-004 | 25095-004 | 25095-004 | 25095-004 |
| 65 | Assembly, Hose | 1 | 98065 | 98065 | 98065 | 98065 | 98065 |
| 71 | Servo Piston, Top w/Stops | 1 | 102334-xxx* | 102334-xxx* | 102334-xxx* | 25396-xxx* | 25396-xxx* |
| 72 | Shim | * | * | * | * | * | * |
| 73 | Spacer, Servo Piston | 1 | 98052 | 98052 | 98052 | 98044 | 98044 |
| 74 | Bolt | 1 | * | * | * | * | * |

* See charts on opposite page and back page for specific part number.

** See separate parts list for specific part number.

EATON
HYDROSTATIC
VARIABLE DISPLACEMENT
MOTOR
ALL GUIDE UNITS
PARTS INFORMATION
NO. 6-137

HOW TO ORDER
REPLACEMENT PARTS

EACH ORDER MUST INCLUDE
THE FOLLOWING INFORMATION

1. Product Number
2. Date Code
3. Part Name
4. Part Number
5. Quantity of Parts

Servo Piston Tabulations for Models 33, 39, 46

Ref. No. 71

| Angles for Models 33-39(°) 46(°) | | Subassembly Part Number | Shims Qty | Ref.No. 72 Part No. | Bolt Ref.No. 74 Part No. |
|---------------------------------------|-------|----------------------------|--------------|------------------------|-----------------------------|
| 0-2 | 0-1 | 102334-000 | 0 | 98053 | 95862-150 |
| 3-4 | 2-3 | 102334-001 | 1 | 98053 | 95862-150 |
| 5-6 | 4-5 | 102334-002 | 2 | 98053 | 95862-175 |
| 7-8 | 6-7 | 102334-003 | 3 | 98053 | 95862-175 |
| 9-10 | 8-9 | 102334-004 | 4 | 98053 | 95862-200 |
| 11-12 | 10-11 | 102334-005 | 5 | 98053 | 95862-200 |
| 13-14 | 12-13 | 102334-006 | 6 | 98053 | 95862-225 |
| 15-16 | 14-15 | 102334-007 | 7 | 98053 | 95862-225 |
| 17-18 | 16-17 | 102334-008 | 8 | 98053 | 95862-250 |
| | 18 | 102334-009 | 9 | 98053 | 95862-250 |

Servo Piston Tabulations for Models 54 and 76

Ref. No. 71

| Angles for Models 54 and 76 (°) | | Subassembly Part Number | Shims Qty | Ref.No. 72 Part No. | Bolt Ref.No. 74 Part No. |
|------------------------------------|--|----------------------------|--------------|------------------------|-----------------------------|
| 0-3 | | 25396-000 | 0 | 98045 | 95862-150 |
| 4-6 | | 25396-001 | 1 | 98045 | 95862-175 |
| 7-9 | | 25396-002 | 2 | 98045 | 95862-200 |
| 10-12 | | 25396-003 | 3 | 98045 | 95862-225 |
| 13-15 | | 25396-004 | 4 | 98045 | 95862-250 |
| 16-18 | | 25396-005 | 5 | 98045 | 95862-250 |

Drive Shaft Matrix

Ref. No. 10

| Description | Model 33 | Model 39 | Model 46 | Model 54 | Model 76 |
|---------------|----------|----------|----------|----------|----------|
| 13T | — | — | — | — | 103026 |
| 14T | 101054 | 101054 | 101058 | 101062 | — |
| 19T | 101582 | 101582 | — | — | — |
| 21T | 101117 | 101117 | 101119 | 101121 | — |
| 23T | — | — | — | 101174 | — |
| 27T | — | — | — | — | 103028 |
| 1-3/8 Tapered | — | — | — | 101164 | — |
| 1-1/2 Str.Key | 101531 | 101531 | 101535 | 101539 | — |
| 1-3/4 Str.Key | — | — | — | — | 103030 |

101540 3/8 Square Key (for 1 1/2 Straight Keyed Shaft)
102305 7/16 Square Key (for 1 3/4 Straight Keyed Shaft)
101317 Woodruff Key (for 1 3/8 Tapered Shaft)
96898 Slotted Nut (for 1 3 8 Tapered Shaft)

End Cover Matrix

Ref.No. 47

| Description Main Ports | Model 33 | Model 39 | Model 46 | Model 54 | Model 76 |
|-------------------------------|----------|----------|----------|----------|----------|
| 1 Inch Code 61 | 101021 | 101021 | 101023 | 101022 | 103021 |
| 1 Inch Code 61 w/Pressure Tap | | | | 102846 | 551415 |
| 1 Inch Code 62 | 101957 | 101957 | 102109 | 101323 | 103022 |
| 1 Inch Code 62 w/Pressure Tap | | | 551522 | 105209 | |
| 1 Inch O-ring | 101489 | 101489 | 102235 | 101494 | |

Code 61 - SAE Code 61, Split Flange, 3000 PSI, Drilled and Tapped for 3/8-16 UNC 2B Thread Bolt
Code 62 - SAE Code 62, Split Flange, 6000 PSI, Drilled and Tapped for 7/16-14 UNC 2B Thread Bolt

Eaton Corporation Hydraulics Division 15151 Highway 5 Eden Prairie, MN 55344 Telephone (612) 937-9800

EATON

FORM NO. 6-137-98